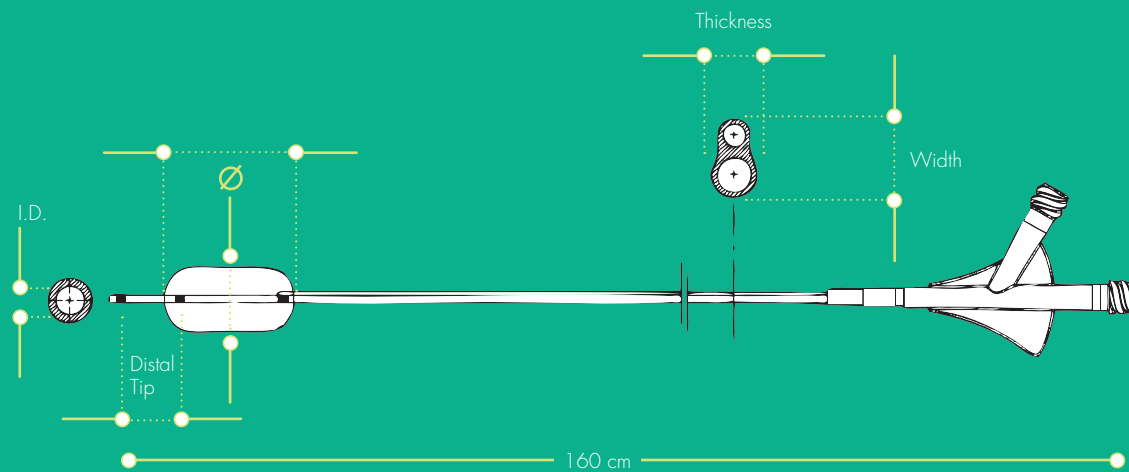


balloon inflation compliance

Balloon Catheter	2 mm	3 mm	4 mm	5 mm	6 mm
COP2L 6X20	0,04 ml	0,11 ml	0,21 ml	0,33 ml	0,45 ml

Copernic
2L



Ø: Diameter I.D.: Internal Diameter O.D.: Outer Diameter L: Length

ordering information

Reference	Balloon		Distal tip O.D. x length	I.D. (main lumen)	Double lumen outer dimensions	
	Max Ø (mm)	Length (mm)			Thickness	Width
COP2L 6x20	6	20	2,5Fx 12 mm	Ø 0.60 mm / .024" (equivalent to VASCO+21) because of product part number	Ø 0,9 mm (equivalent to 2,7F)	1,26 mm

Copernic
2L

Reference: 1. Contrast media viscosity under 9 cP - Internal data.

The COPERNIC 2L double lumen balloon catheters are intended for use in the peripheral vasculature and neurovasculature for temporary occlusion. The balloon catheters provide temporary vascular occlusion which is useful in selectively stopping or controlling blood flow and for the vasospasm treatment. The balloon catheters also offer balloon assisted embolization of intracranial aneurysms. They are also indicated for use in the peripheral vasculature and neurovasculature for administration of diagnostic agents (contrast solution) and therapeutic agents (embolization materials compatible with the inner diameter of the balloon catheters COPERNIC 2L). The content of this document, in particular data, information, trademarks and logos are BALT S.A.S and affiliates' sole property. Consequently, all representation and/ or reproduction, whether in part or in full, is forbidden and would be considered a violation of BALT S.A.S and affiliates' copyrights and other intellectual proprietary rights ©2017 BALT S.A.S and affiliates all rights reserved. This document with associated pictures are non-contractual and are solely dedicated to healthcare professionals and BALT S.A.S and affiliates' distributors. The products commercialized by BALT SAS and affiliates shall exclusively be used in accordance with the package inserts which have been updated and included in the boxes. COPERNIC 2L is class III CE marked (LNE/G-Med CE0459) according to the Medical Device Directive 93/42/EEC since 2014. DC036GB (06/2017)

Balt Extrusion

10, rue de la Croix Vigneron, 95160 Montmorency France

Tél. : +33 (0)1 39 89 46 41

Fax : +33 (0)1 34 17 03 46

www.balt.fr

 **balt**
inspiring innovation

copernic^{2L}

double lumen
balloon catheter



 **balt**
inspiring innovation

copernic^{2L}

The newcomer with unique features

Designed for use in the peripheral vasculature and neurovasculature, provide temporary vascular occlusion, vasospasm treatment, balloon assisted embolization, administration of diagnostic agents (contrast solution) and therapeutic agents

unique double lumen balloon design



● Flat catheter concept
- ease of use

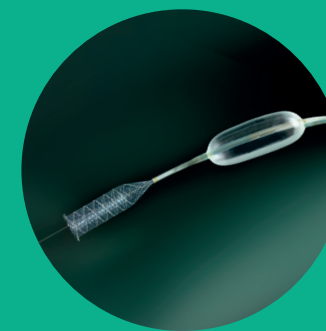
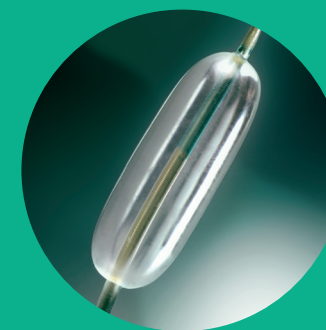
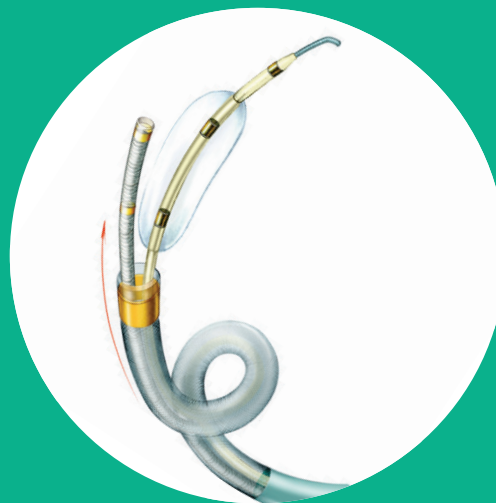
Quick Inflation / deflation time¹

High visibility
as balloons can be filled
from 50% contrast media

Unique double balloon catheter
with an ID working lumen .024"

● Safety - easy valve

Easy purging system
Safety increased - reduced risk
of blood aspiration



Large applications
FARGOMAX6F

Remodeling

Copernic 2L can be used
in parallel with a coiling
microcatheter (VASCO+10)
in a single 6F guiding
catheter (FARGOMAX6F)

Leo+ 3,5

Silk+ 2,0 to 4,5

Squid

DMSO Compatible



aneurysm treatment